

FH200 MANUAL THERMOSTAT



Introduction

TKB70 is used for 2-position control with on/off output for the control the temperature by means of an NTC sensor placed externally or internally in the thermostat.

The thermostat acquires the room temperature with its built-in sensor or floor sensor, and the heating contact will close when the room temperature falls below the selected setpoint.

Application

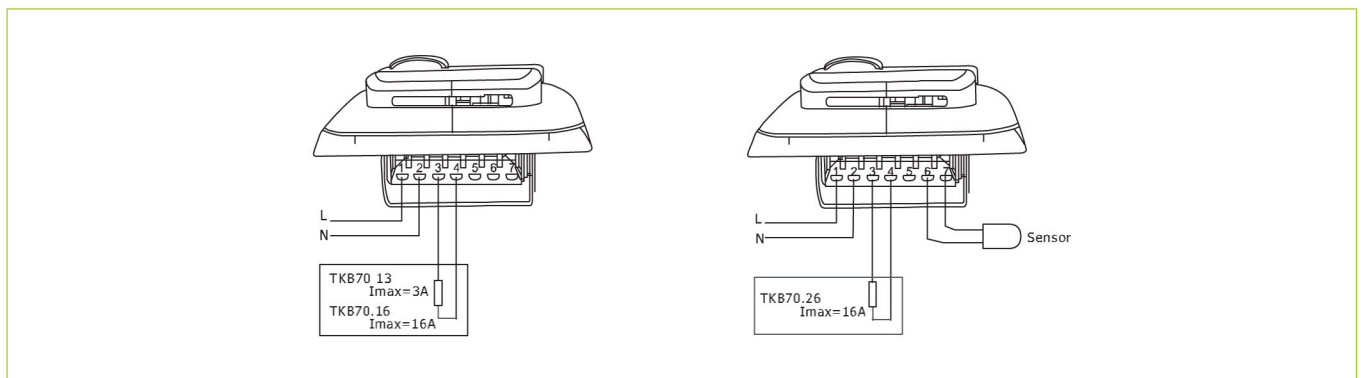
For the control of warm-water (floor) heating systems and direct electric heating systems used in Commercial buildings, Residential buildings, Light industrial buildings...



Technical Data

Voltage	AC230V (AC110V / AC24V available)
Power consumption	5W
Setting range	5°C ~ 40°C
Limitation scale	25°C ~ 50°C(TKB70.36)
Switching differential	±0.5K
Ambient temperature	-5°C ~ 50°C
Protective housing	IP20
Housing material	Self-extinguishing PC
Floor sensor	Rubber-thermoplastic NTC sensor, cable length is 3m.

Wiring Diagram



Selection Table

Model Number	Current		Loading (PCS/Carton)
TKB70.13	3A	Built-in sensor	64
TKB70.16	16A	Built-in sensor	64
TKB70.26	16A	Floor sensor	64
TKB70.36	16A	Built-in & floor sensor (recommend)	64